

SHIELD^{me}TM

ISOLATION CHAMBER

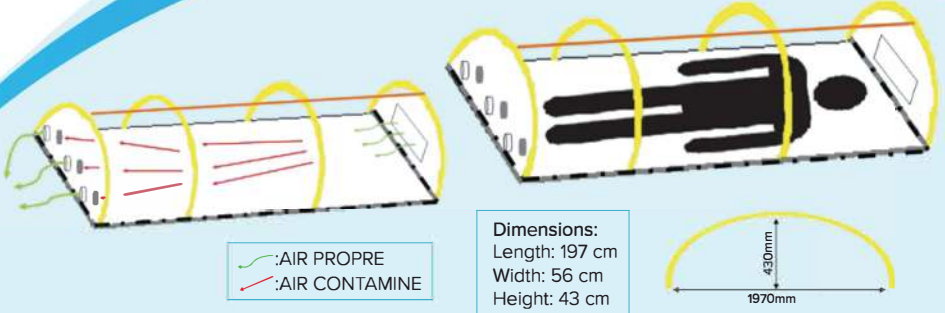


OXYGEN SUPPLY
CONNECTOR

TECHNICAL FEATURES:

1. The isolator is mainly used for the isolation transportation of patients suspected or identified with respiratory infectious diseases in the environment of toxic gas (such as gas bomb pollution).
 2. The isolator frame is made of a high quality and durable transparent material without pollution release, and sealed with a zipper.
 3. The isolator adopts the principle of positive and negative pressure. The positive pressure principle can prevent the poisonous gas from entering the cabin. The negative pressure can prevent polluted air from leaking in the cabin.
 4. The difference of pressure between the inside cabin pressure and the outside cabin pressure is not less than 20Pa.
 5. The filter tank can filter the external toxic gas or internal pollution gas in a highly efficient filtration to ensure that the filtered gas is clean.
 6. The filtration efficiency of the filter tank for aerosol particles with diameter of 0.3 μm is not less than 99.99%.
 7. The fan with lithium battery and can be used continuously for not less than 5 hours. When the battery under voltage should be alarm function;
- The fan can use DC 12V power supply.
8. The cabin is equipped with 8 sealing covers, the medical staff need to use rubber gloves to open the sealing covers, which is convenient for examination of the medicine, food and patients.
 9. The oxygen access valve can be connected on the sealing covers.

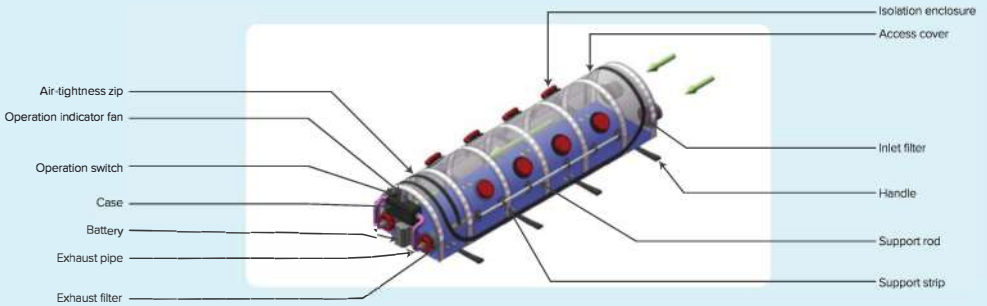




MAIN PARAMETERS

Model	SME - BIC10
Sizes (W x D x H)	1970 x 560 x 430mm (±10%)
Negative pressure value	Not less than 20Pa
Negative pressure preparation time	Not more than 2 minutes
Battery	Consecutive operation for not less than 5 hours
Certificate	CE

Operating Principle and Overall Structure



Overall Structure of SME-BIC10

Model	Unfolded Size (LxWxH)	Folding Size (LxWxH)	Self-weight	Load Bearing	Packing		
					Quantity	Size (LxWxH)	G.W.
SME-BIC10	1970x560x430cm	120x60x25cm	17kg	160kgs	1	123x40x54cm	18.5kg

*We reserve the right to change specifications of our product without prior notice.